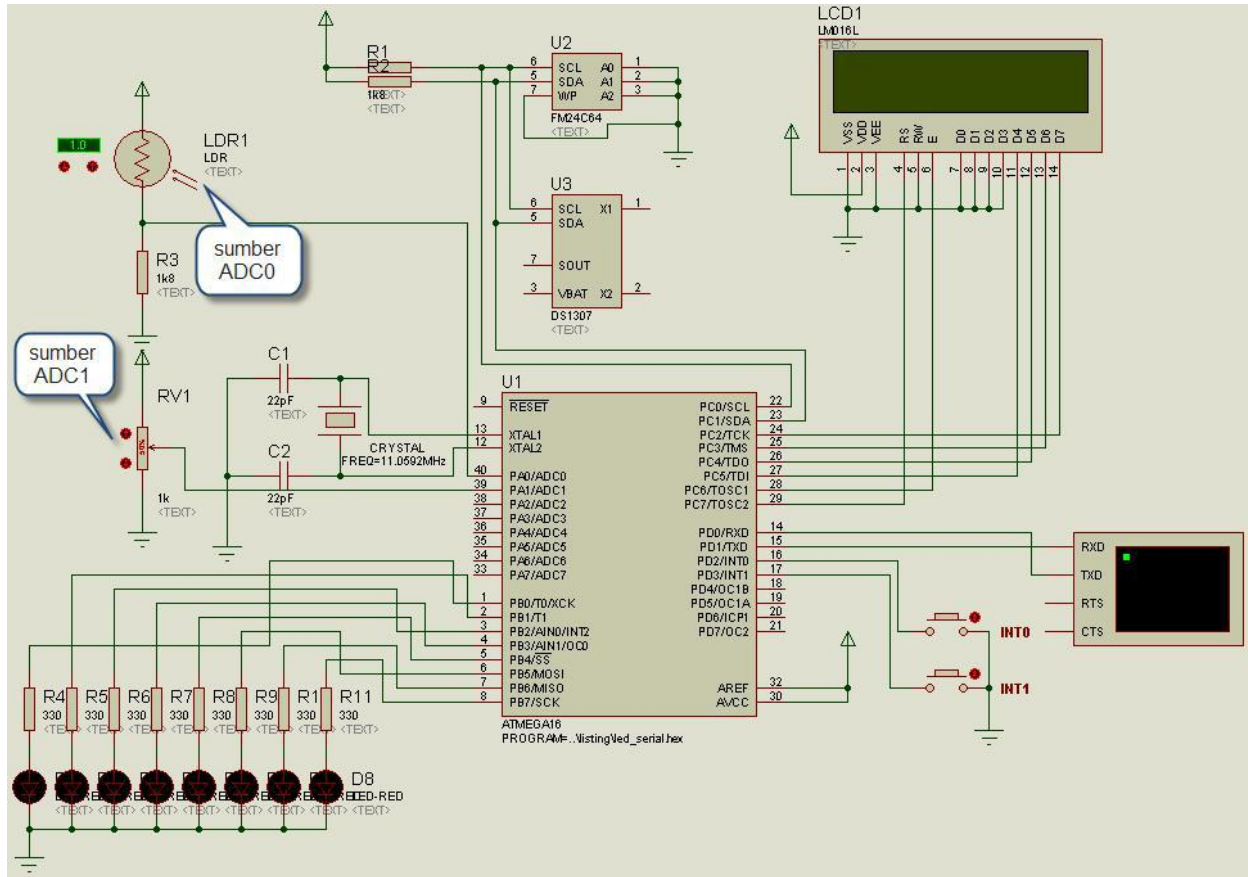


## Antarmuka LCD 2x16 Karakter



Buatlah program berikut!

```
' program LCD01.BAS
'
$regfile = "m16def.dat"
$crystal = 11059200

Config Lcdpin = Pin , Db4 = Portc.5 , Db5 = Portc.4 , Db6 =
Portc.3 , Db7 = Portc.2 , E = Portc.6 , Rs = Portc.7
Config Lcd = 16 * 2

Cursor Off
Cls

Locate 1 , 3 ' mulai lokasi baris-1 kolom 7
Lcd "saya manusia"
Locate 2 , 6 ' mulai lokasi baris-2 kolom 7
Lcd "keren!"

End
```